

INSTALLATION INSTRUCTIONS FOR INSTALLING A DELIVERY DOOR ANGLE INSTALLATION KIT IN A NATIONAL VENDORS[®], CROWN SEVENTY TWO[®], SHOWCASE 141 MERCHANDISER

These instructions cover the procedure for installing a Delivery Door Angle Installation Kit in a Crown Seventy Two, Showcase 141 Merchandiser.

Read these instructions carefully and thoroughly before installing the Kit. Retain these instructions for part number and installation information.

Kit, Part Number 141-2076, contains the following parts:

Part Number	Description	Quantity
141-2047	Delivery Door Angle	1
720-7019	No.8-18 x 3/8 PHS S/T Screw	6
141-2075	Installation Instruction * * *	1

TO INSTALL THE KIT

A. PARTS REMOVAL

1. Unlock and open the Cabinet Door.
2. Remove six No.8-32 x 5/16 Round Head Thread Cutting Screws and the Delivery Pan Assembly from the Cabinet Door. See Figure 1.
3. Remove a No.10-32 Self Locking Nut, an Actuator Plate Pivot Stud, and the Right Hand Actuator Plate and Roller Assembly from the Delivery Pan Assembly. See Figure 2.
4. Remove a No.10-32 Self Locking Nut, an Actuator Plate Pivot Stud, and the Left Hand Actuator Plate and Roller Assembly from the Delivery Pan Assembly. See Figure 2.

5. Slide the Pivot Rod to one side and remove the Delivery and Pilferage Door Assembly from the Delivery Pan Assembly. See Figure 2.
6. Remove the three Bumpers from the Delivery Door by removing three No.6-20 x 3/8 Pan Head Thread Cutting Screws. See Figure 3. The Bumpers and Screws will be reused during the installation of the Kit.

B. INSTALLATION OF THE KIT

1. Attach the Delivery Door Angle, Part Number 141-2047, included in the Kit, to the Delivery Door and attach the Bumpers, removed in Step A-6, to the Delivery Door Angle using the three Screws also removed in Step A-6. Install the six No.8-18 x 3/8 Pan Head Self Tapping Screws, Part Number 720-7019, included in the Kit, in the remaining six holes. See Figure 4.
2. Install the Delivery and Pilferage Door Assembly on the Delivery Pan Assembly by fitting the Pivot Rod on the Delivery and Pilferage Door Assembly through the holes in the Left and Right Hand Pivot Bracket on the Delivery Pan Assembly. See Figure 5.
3. Install the Left and Right Hand Actuator and Roller Assemblies, as shown in View A of Figure 5. Secure using the Actuator Plate Pivot Studs and Self Locking Nuts removed in Steps A-3 and A-4.
4. Install the Delivery Pan Assembly on the Cabinet Door using the six No.8-32 x 5/16 Round Head Thread Cutting Screws removed in Step A-2. See Figure 1.
5. Close and lock the Cabinet Door.

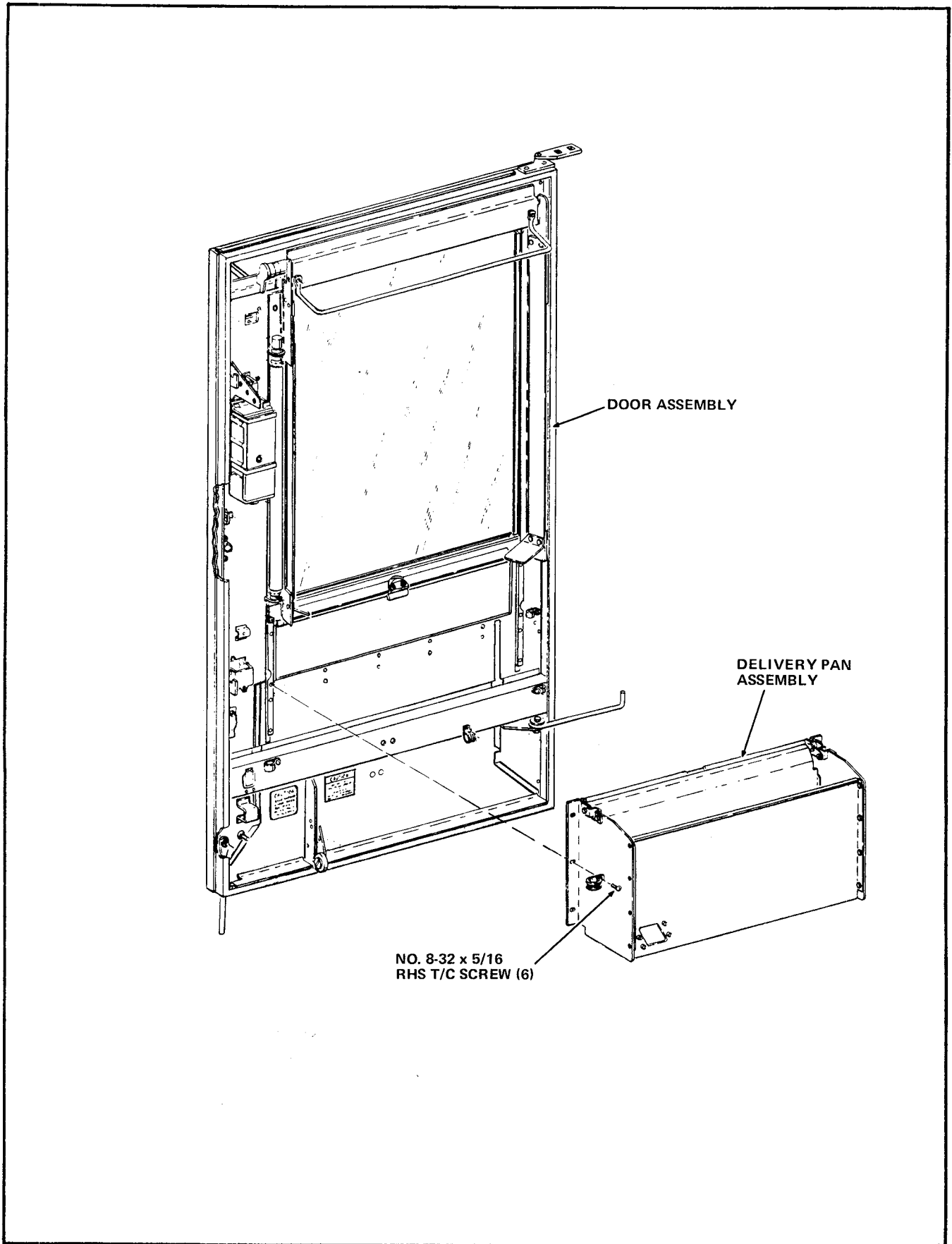


FIGURE 1

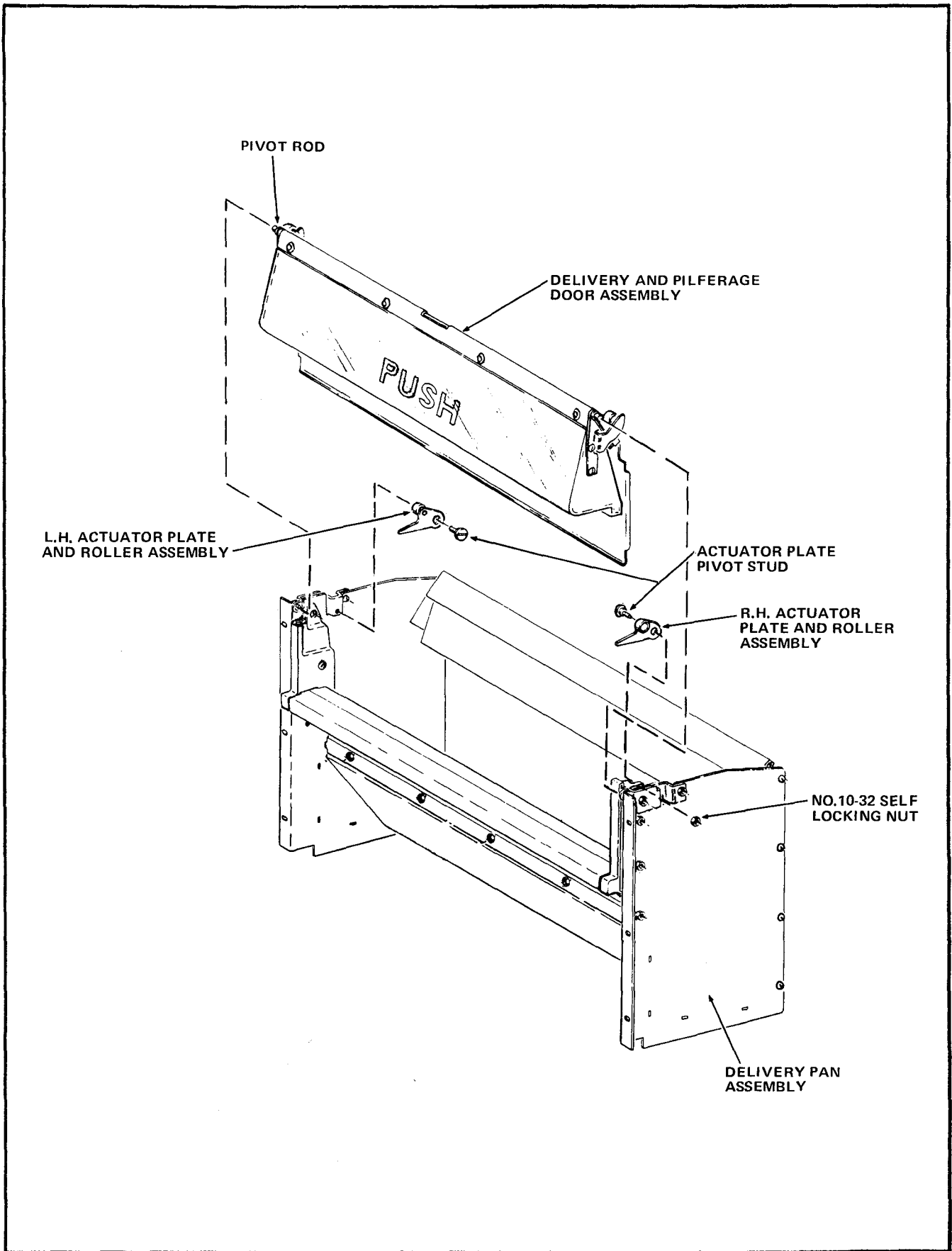


FIGURE 2

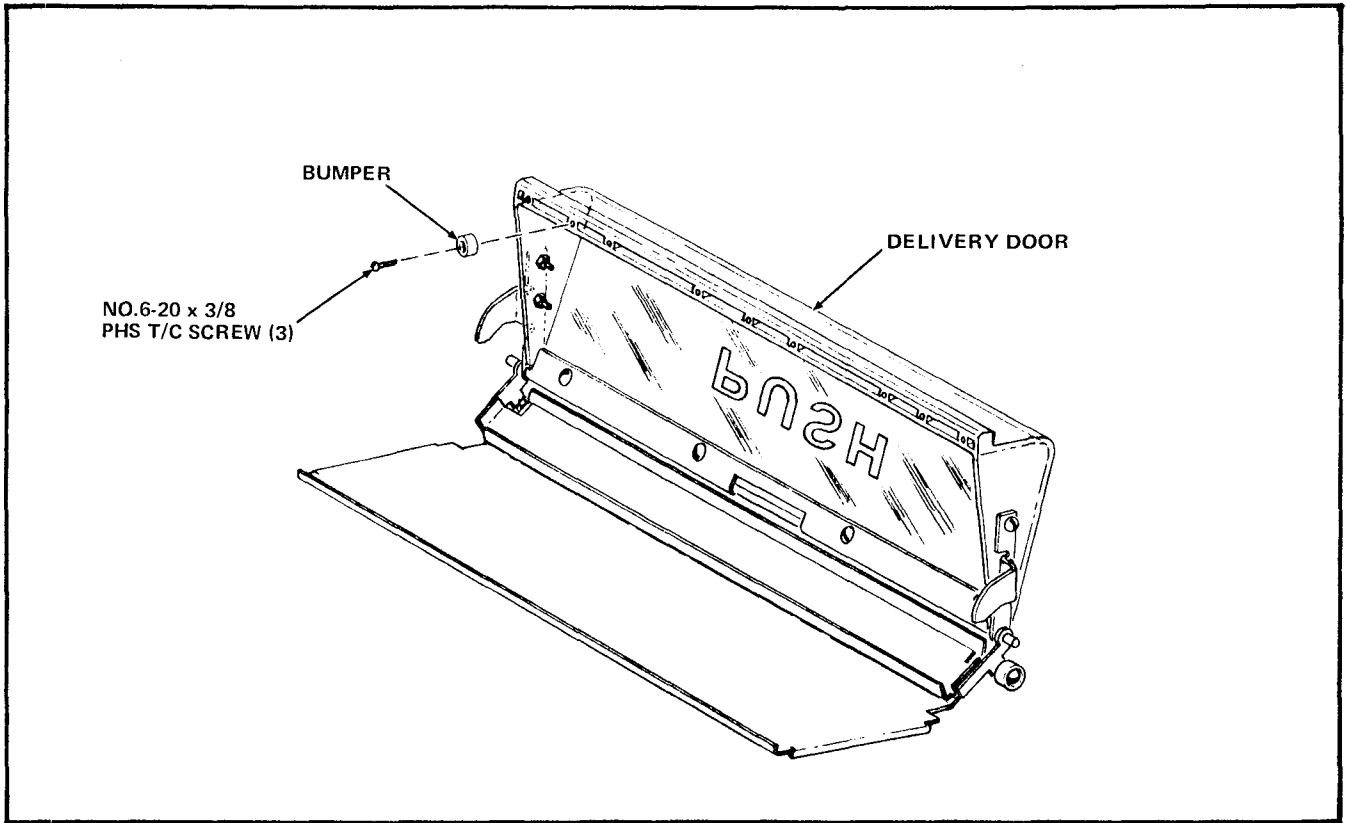


FIGURE 3

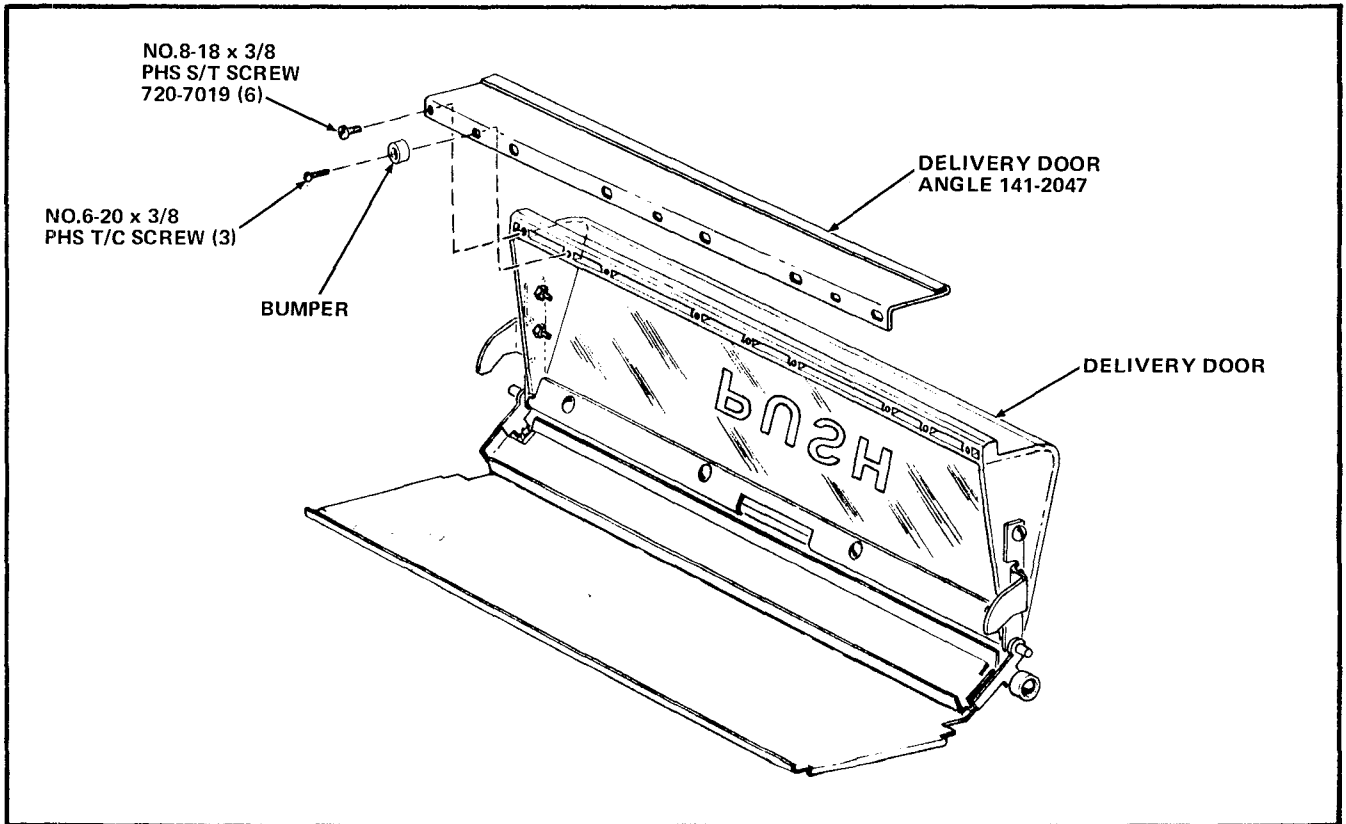


FIGURE 4

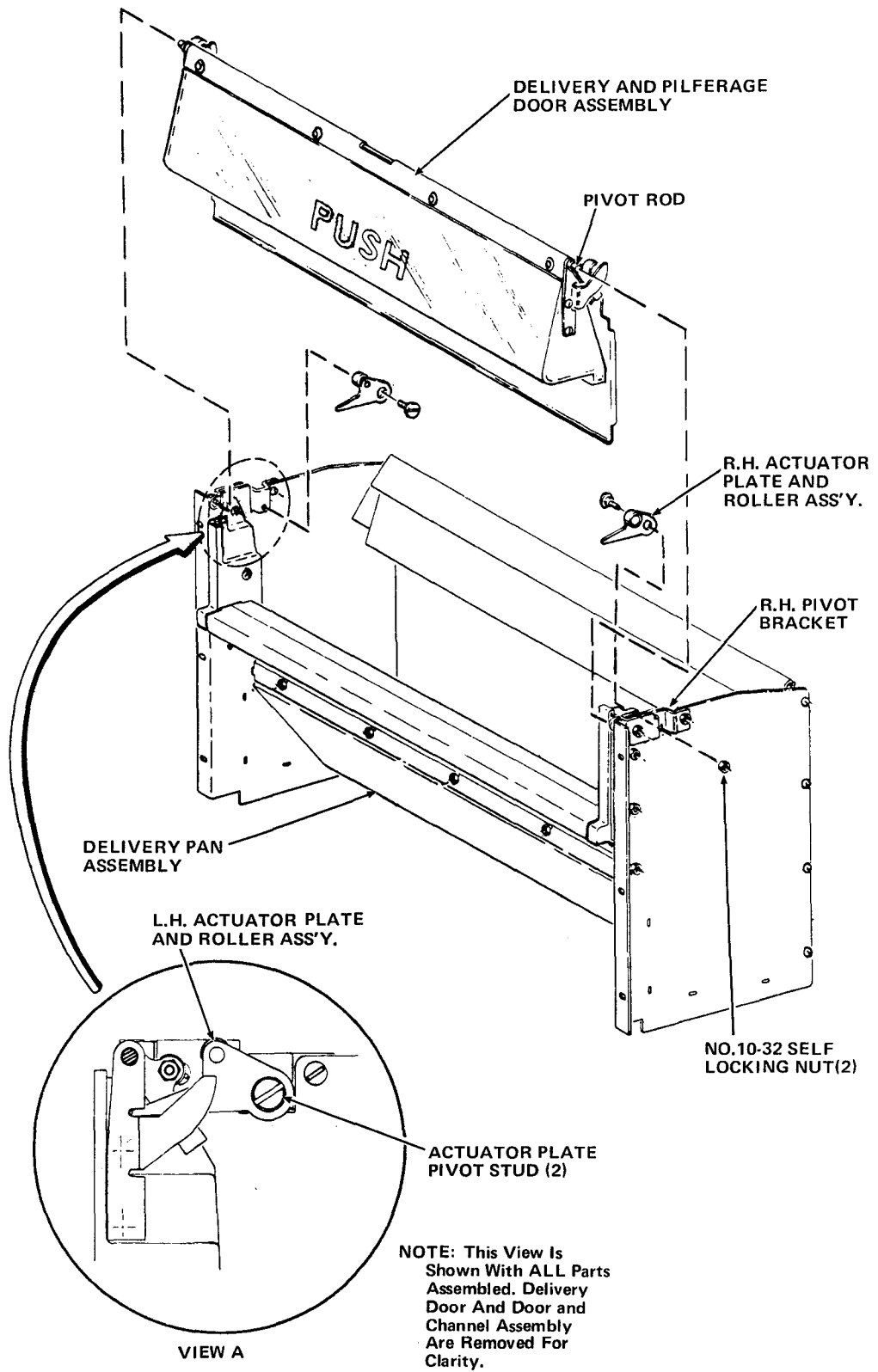


FIGURE 5